

WD-PRM 6/7

HOOD TYPE DISHWASHER

FEATURES

- The automatic Pre rinse machine replace the manual pre rinsing
- Hot recycled detergent water is used both from above and underneath the ware leading to a better washing result
- Great water savings is achieved because the pre rinse machine only use water from the dishwasher that normally goes to the drain
- Saves working time - possible to accumulate dish ware which leads to large savings
- The total contact time is extended and the wash ware is almost clean before they enter the dishwasher. That means better capacity for the dishwasher because shorter programs can be used
- The working environment is improved by replacing the repetitive manual pre-rinsing movements

- Robust and reliable design in stainless steel with components that guarantee a durable and reliable operation for many years
- The machine has an energy saving heat and sound insulating double-skinned hood.
- A good working environment with the unique hood concept
- Self-drained wash pump
- Large deep tank to protect against foaming
- Wash pump intake with strainer

- Easy servicing - the machine is serviced from the front
- Powerful washing pressure with anti-blocking nozzles



OPTIONS

- Automatic hood
- Autostart for automatic hood
- 230V/1/50Hz
- 230V/3/50Hz
- Marine version
- Panel on left side
- Booster pump

EXTRA EQUIPMENT

- Sideboard (560 x 560 mm)
- Connection plate with or without splash guard between PRM

TECHNICAL DATA	WD-PRM6	WD-PRM7
Article number	204-006	204-007
Wash pump (kW)	0,9	0,9
Tank volume (litres)	45	45
Weight, machine in operation (kg)	130	150
Degree of protection (IP)	45	45

CAPACITY AND OPERATION DATA	WD-PRM6	WD-PRM7
Total time pre-rinse (sec)	30/45/60	30/45/60
Capacity, max (baskets/h)**	120	120
Sound level* (dB(A))	64	64

* Measured 1 metre from the machine

** At 30 sec pre-rinse time

CONNECTION, MACHINE	WD-PRM6	WD-PRM7
Total connected power (kW)	0,9	0,9
Main fuse 400V 3N~(A)*	10	10
Max.conn.area 400V 3N~ (L1-L3,N,PE) Cu (mm²)**	2,5	2,5

* Other voltages on request

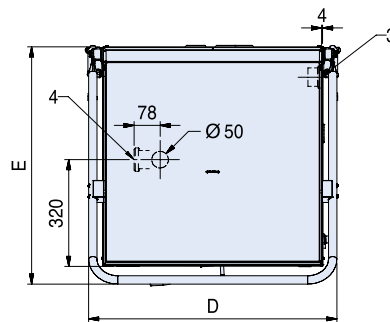
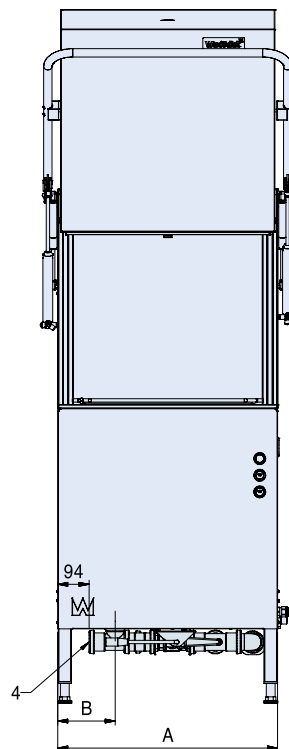
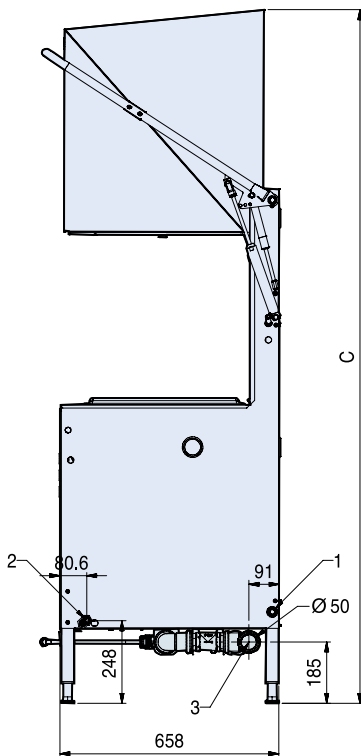
** Cabel 2m H07RN-F included

CONNECTION WATER, DRAIN AND VENTILATION	WD-PRM6	WD-PRM7
Drain connection, PP pipe (ø mm)	50	50
Water capacity cold water hood lift, pressure (kPa)*	180	300
Water capacity cold water hood lift, flow (l/min)*	2	2
Floor drain, capacity (litres/sec)	3	3
Heat load to the room (total, sensible, latent) (kW)	0,3 / 0,2 / 0,1	0,3 / 0,2 / 0,1

* Option. If pressure / flow is lower the machine should be equipped with a booster pump.

SIZE AND WEIGHT FOR TRANSPORTATION	WD-PRM6	WD-PRM7
Size * LxWxH (mm)	765x710x1560	765x805x1650
Weight * (kg)	100	105

* Packaging included



1. Electrical connection
2. Cold water connection R1/2" - hood lift
3. Water connection Ø50mm int. from dishwasher
4. Drain connection Ø50mm int.

DIM MM	WD-PRM6	WD-PRM7
A	600	660
B	142	172
C	1900	2084
D	685	745
E	707	713

We reserve the right to change technical data.

Wexiödisk

TELEPHONE: +46 470 77 1200 FAX: +46 470 23752 ADDRESS: Mårdvägen 4 SE-352 45 Växjö SWEDEN
E-MAIL: wexiodisk@wexiodisk.com WEBB: www.wexiodisk.com