

Combi-dishwasher

■ WD-12



Wexiödisk^W
BECAUSE WE DO CARE



Every installation must result in a good reference!

www.wexiodisk.com

WD-12

One of the market's most efficient
combi-dishwashers for demanding kitchens.



■ WD-12 – a first class combi-dishwasher with a large washing compartment

WD-12 is a flexible combi-dishwasher that washes both heavily soiled loads and normal loads with perfect result. Its robust basic design, which makes use of the best components and materials, guarantees reliable operation for many years to come. The machine has innovative solutions like the automatic hood lift, adjustable washing pressure and an optional foldable shelf. This makes the machine versatile with easy operation and a performance optimized for all types of loads.

Excellent working environment with automatic hood

The use of an opening hood enables throughput from a dirty to a clean side, giving hygienic and ergonomically correct handling of the dishware. On the WD-12, the hood opens automatically when the wash program has finished. The hood lifts up a few centimeters and then stops to allow the hot steam to discharge before the hood lifts up to its highest position. The load starts to dry immediately and the baskets can be removed from the machine. New baskets can then be put in. With the press of a button the hood is closed and the program restarts. The automatic hood reduces the risk of operators suffering shoulder or arm strain injuries as it improves the ergonomics for the user and makes washing more efficient.

Optimum washing results and high levels of hygiene

The large washing tank and efficient filters keep the washing water clean longer and allow for long washing sessions between water changes. Powerful washing pressure and a design which prevents the nozzles becoming blocked ensures excellent washing results. To improve the quality of the final rinse and the hygiene levels, the washing water drains out of the washing arms at the start of the rinse phase. This prevents any residual washing water from dripping out of the top washing arm onto the clean items.





- **Flexible combi-dishwasher** with large dishwashing area, feed clearance height of 600 mm, internal width of 1158 mm and a depth 565 mm. The machine has adjustable washing pressure for normal and heavily soiled loads. An optional foldable shelf, which has risible bar sections, makes the machine flexible when washing different type of loads.
- **Powerful and effective** – extraordinary washing results with dual pumps and rinsing system.
- **Hygienic** – the machine meets the strictest hygiene requirements thanks to automatic control of the final rinse temperature.
- **A good working environment** – with the unique hood concept.
- **Service friendly** – carefully positioned components allow easy servicing normally carried out from the front of the machine.

The optional condensing unit with heat recovery significantly improves the working environment and at the same time saving energy, up to 0,21 kWh / washing cycle.

The control system and the break tank ensures the hygiene requirements

The control system monitors all functions, e.g. water quantity and final rinse temperature ensuring that hygiene requirements are met in accordance with the HACCP quality system. Furthermore the WD-12 has a break tank and booster pump making the machine independent of incoming water pressure. The wash programs' washing and rinsing times can be adjusted to suit individual requirements. The remaining washing time can be seen on the control panel display. The control system alerts you if the washing temperature is too low. This reduces the risk of foam forming and poor washing results. An automatic cleaning program makes it easier to clean the inside of the machine.

■ WD-12 – superior technology facilitates the work in the dishwashing room

Powerful construction

– a long service life and high efficiency

The WD-12 is ideal for demanding environments. The machine is made from double-skinned stainless steel sheet which is fitted with sound and heat insulation as standard. The specially designed fixed basket conveyor makes the washing process more efficient when using standard baskets.



Unique – with adjustable washing pressure

The adjustable washing pressure is one of a number of innovative solutions. The machine can be reset quickly and easily between normal and heavily soiled settings. This function, in combination with three different programs to choose from, solves the varying needs of any kitchen.

Easy settings between normal- and heavily soiled dishwashing loads

Easy servicing with rapid trouble shooting

In order to allow any faults to be resolved quickly and efficiently the machine has an event log which records all the alarms and any changes made to the machine. This helps to ensure rapid troubleshooting and improved diagnostics. As in all Wexiödisk machines, the components are carefully positioned to allow easy access for servicing from the front of the machine. This, together with high quality materials and stainless steel internal piping, make the WD-12 a unique product.

WEB Tool for automatic reports of dishwashing statistics

WEB Tool for WD-12 is an option that simplifies the everyday work for you that makes HACCP reports by hand. Using an ordinary Internet browser you create your HACCP documentation directly from the machine. From now on no one needs to keep a manual log of temperatures to fulfill and satisfy current hygiene requirements, in accordance with HACCP. Say goodbye to unnecessary paperwork, saving valuable time in the kitchen.


An efficient and ergonomic foldable shelf to use for heavily soiled loads

As option a foldable shelf is available which makes the handling more easy and efficient when the machine is used for heavily soiled loads. The load is placed directly on the shelf, which has risible bar sections to extend the flexibility when washing different type of loads.

The machine's two powerful pumps cover efficient the machines large washing compartment through four washing arms. The dual pumps and rinsing system produce extraordinarily good washing results.



Efficient and ergonomic foldable shelf



Easy and fast switching between normal and heavily soiled loads simplifies the work in the dishwashing room.



The design of the fixed basket conveyor helps to improve the washing results even further by ensuring that the water jets can easily reach every corner of the basket. Smooth internal surfaces make cleaning easier.



The optional foldable shelf, which has risible bar sections, makes the machine flexible when washing different type of loads



An automatic hook lock holds the shelf in upright position when the machine is used for normal loads and standard baskets.



User friendly control panel

The control panel of the machine is user-friendly. The panel shows important information such as the selected program, remaining washing time, temperatures, alarms, number of baskets washed, etc.

In addition to showing the ordinary program selection P1-P3, the displays also show when the cleaning program and pause function (program P0) are activated.



Deep tank strainers

Efficient tank strainers enable long washing sessions without the need to replace the water, contributing to the best possible results.



Guide for baskets

The standard machine has a guide for baskets together with a fixed basket conveyor.

Technical specifications

Technical data	WD-12
Washing pump (kW)	2x2.35
Booster heater (kW)	12
Booster heater (machine with cold water connection) (kW)*	2x12
Booster heater (condensing unit) kW*	15
Tank heater (kW)	9
Booster pump (kW)	0.67
Drain pump (kW)*	0.17
Tank volume (liter)	120
Weight, machine in operation (kg)	480
Enclosure class (IP)	55

* Option

Capacity and operating data	WD-12
Total washing time P1 (min) *	1.2
Total washing time P2 (min) *	3.2
Total washing time P3 (min) *	5.2
Max. capacity, baskets/hour (no.)	100
Water consumption rinsing/programme (liter) **	6 - 8
Noise level (dB(A))***	67

* Factory setting. The washing time can be adjusted.

** Applies under ideal conditions. The water consumption depends on local conditions. Fine adjustments can be made during installation.

*** Measured 1 metre from the side of the machine.

Connection, machine	WD-12
Total connected power (kW)	16.7
Main fuse 400-415V 3N~ (A) *	35/50***
Max. connection area 400-415V 3N~ (L1-L3,N,PE) Cu (mm ²) **	16

* Other voltage on request.

** Cable 3 m H07RN-F is included.

Water, drain and ventilation connections	WD-12
Water quality, hardness (°dH)	2 - 7
Water connection 5-70°C (external thread) *	R ½"
Drain connection, PP pipe (ø mm.)	50
Water capacity, pressure (kPa)	20
Water capacity, flow (litres/min)	5
Steam connection (150-250 kPa) (internal thread) **	R ¾"
Condensation water (internal thread) **	R ½"
Floor drain, capacity (litres/sec)	3
Heat load to the room (total, sensible, latent) (kW)	4.9/3.6/1.3

* If colder water than 50°C a 12 kW booster heater is recommended.

** Option

Size and weight for transportation	WD-12
Size, LxWxH (mm.)*	1240x870x2000
Weight (kg)*	355

* Packaging included

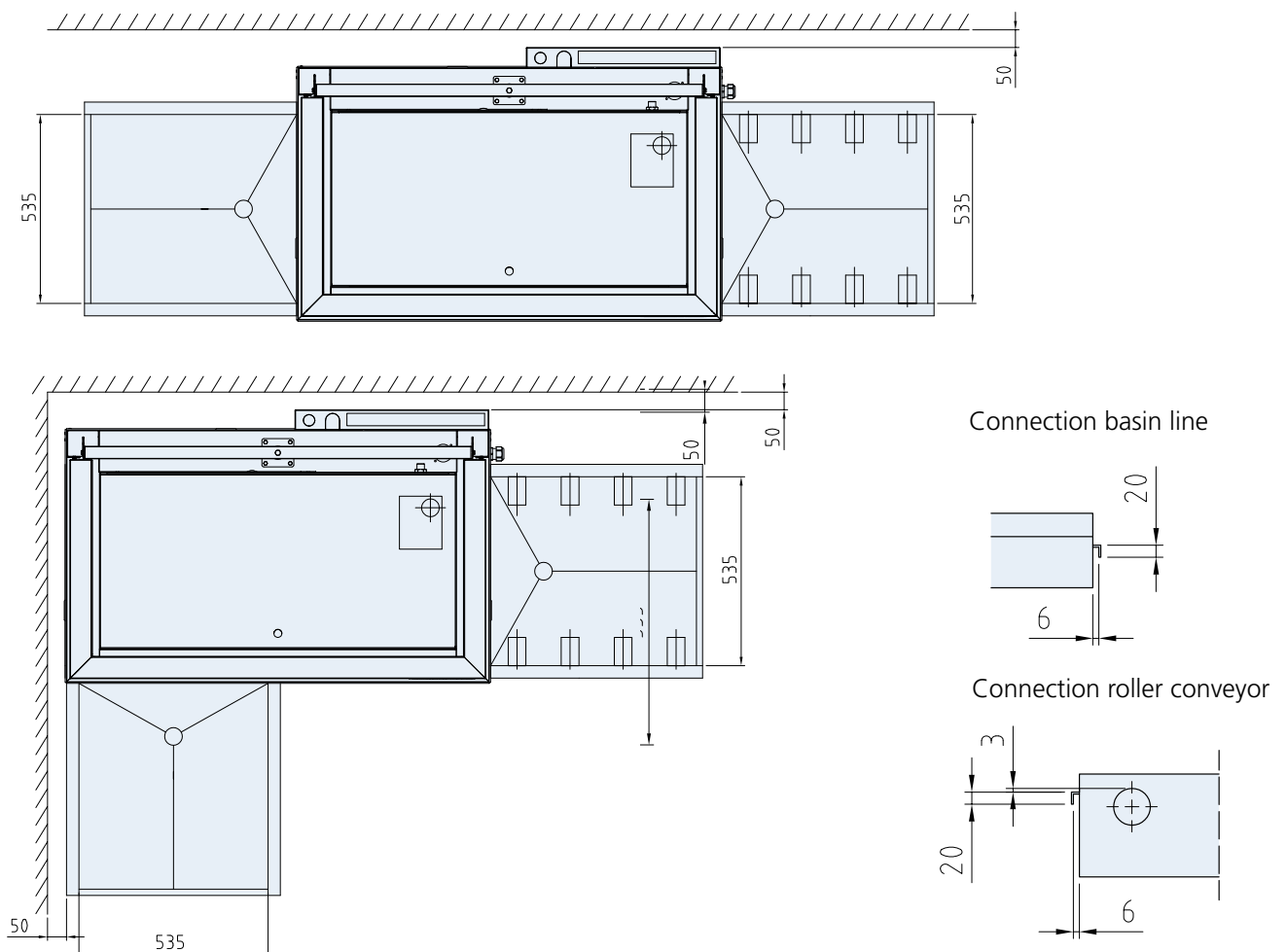
Options

	Part no.	Dimensions in mm LxWxH	Booster-heater	Electrical connection
Model WD-12 *	206-012	1200x775x1990/2440	12 kW	400V 3N~ 50Hz 16.7 kW 35A
Option				
Foldable shelf				
Stainless steel basket 1040x500 mm				
Marine version				400V/3/50Hz without zero
Marine version				440V/3/60Hz without zero
Drain pump				
Steam heated design(150-250 kPa)				400V 3N~ 50Hz 4.7 kW 16A
Additional booster for cold water connection			2x12 kW	400V 3N~ 50Hz 28.7 kW 50A
Suction channel 200x100 mm				
Connection power restriction				
WEB Tool				
Condensing unit with heat recovery**				400V 3N~ 50Hz 19,7 kW, 35 A

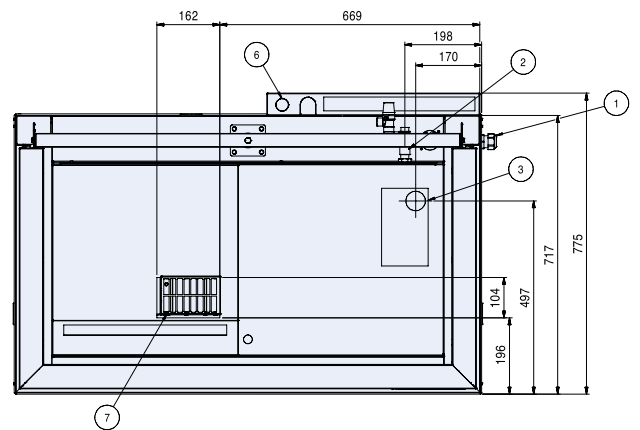
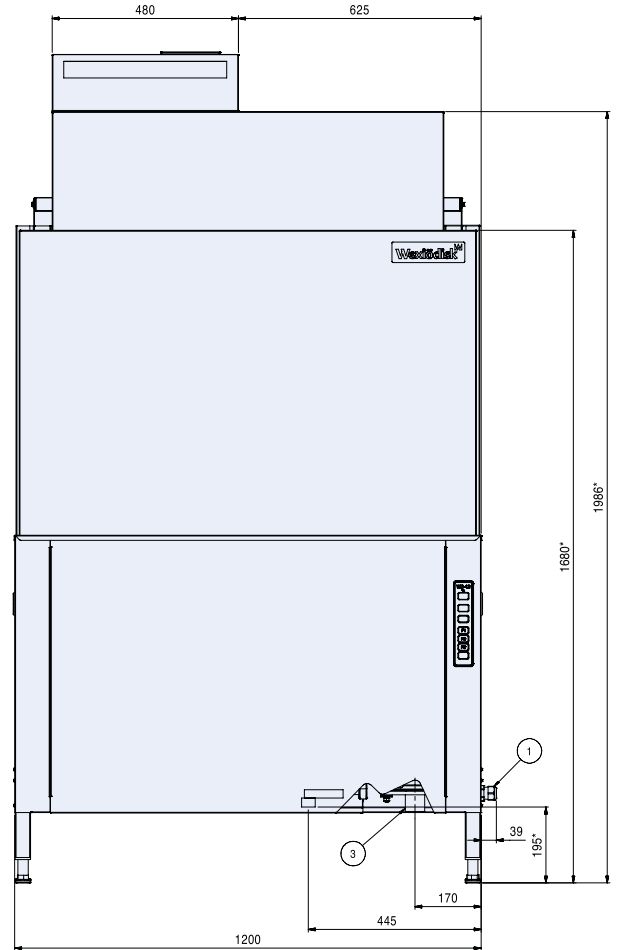
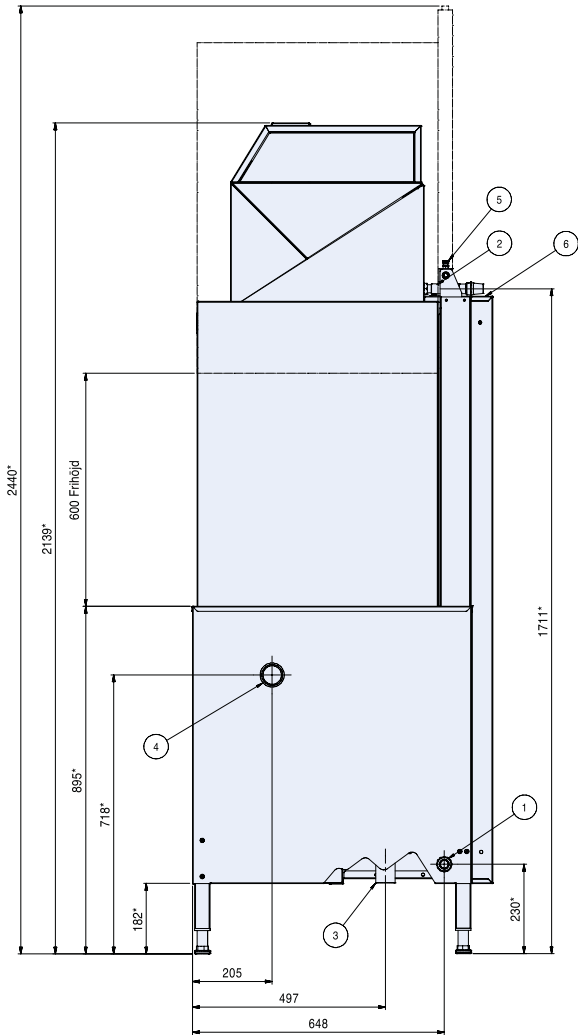
* Equipped with 2 pcs of Wexiödisk baskets (type BRB)

** In order to reduce time for the first water filling, WD-12 with condensing unit always comes with a 15 kW booster heater. The machine must be connected to cold water below 20°C for optimum performance.

Connection



Dimensional drawings



1. Electrical connection
2. Water connection external thread R $\frac{1}{2}$ " 10 l/min 0.2 Bar
3. Drain \varnothing 50 3l/sek
4. Plugged hole for detergent connection
5. Air bleeding screw lift cylinder
6. Steam connection steam heated machine
7. Condensate water connection steam heated machine
8. Alternative electrical connection

BECAUSE WE DO CARE

Telephone: +46 470 77 12 00
Telefax: +46 470 237 52
Address: Mårdvägen 4
SE-352 45 Växjö
Sweden
E-mail: wexiodisk@wexiodisk.com

Wexiödisk 

www.wexiodisk.com